

# GP Batteries

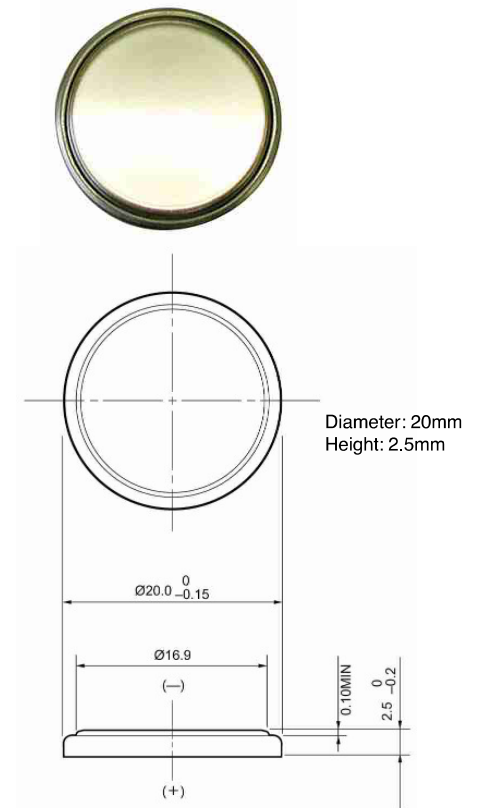
## DATA SHEET

<b>Description</b>	: Flat Lithium Battery
<b>Chemical system</b>	: Lithium Manganese Dioxide
<b>Nominal voltage</b>	: 3 Volts
<b>Nominal capacity</b>	: 160mAh
<b>Dimensions</b>	: $\varnothing 20.0 \times 2.5\text{mm}$
<b>Shelf life</b>	: 5 years at room temperature
<b>Average weight</b>	: 2.4 grams
<b>Application</b>	: Computer memory back up, Photo

### Cross References:

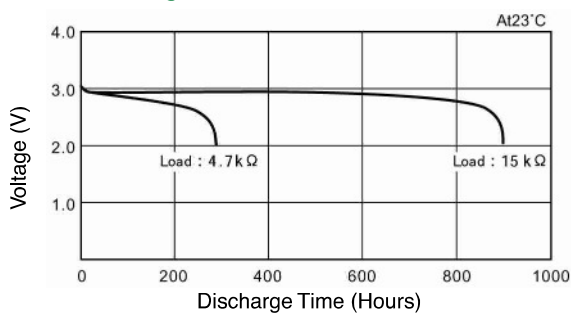
IEC	JIS	Eveready	Varta	Duracell
CR2025	CR2025	ECR2025	CR2025	DL2025

Model No.: **CR2025**

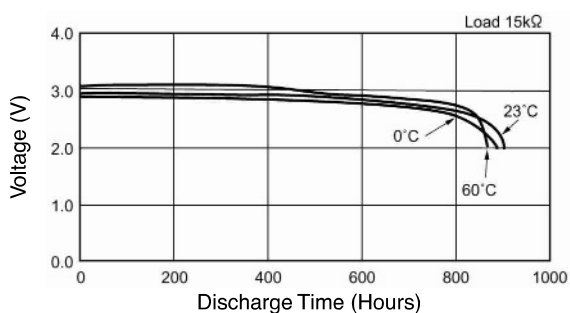


Dimension Drawing

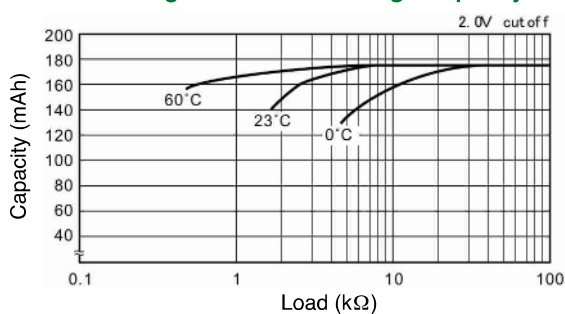
### Discharge Characteristics on Load



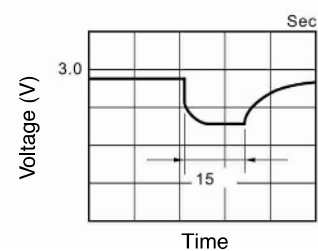
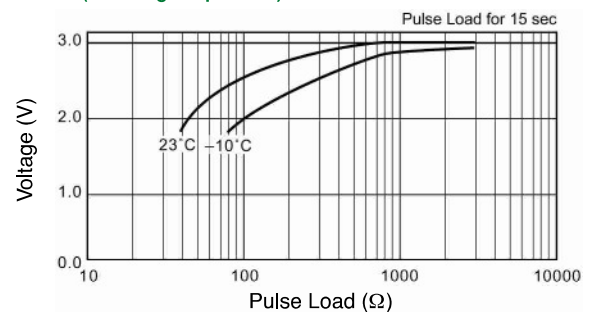
### Discharge Characteristics on Temperature



### Discharge Load vs. Discharge Capacity



### Discharge Characteristics on Pulse Load (Discharge depth 40%)



The information (subject to change without prior notice) contained in this document is for reference only and should not be used as a basis for product guarantee or warranty. For applications other than those described here, please consult your nearest GP Sales and Marketing Office or Distributors.

[www.gpbatteries.com](http://www.gpbatteries.com)

Manufacturer reserves the right to alter or amend the design, model and specification without prior notice.  
Copyright © GPI International Ltd. - All rights reserved

Member  
Gold Peak Group

11050105362