

UHR-CR34610

Technical Datasheet



| Technical Specifications | |
|--------------------------|--|
| Part No. | U10013, U10014, U10015, U10016 |
| NSN | 6135-01-554-3803 (U10014 only) |
| Voltage Range | 1.5 to 3.3V |
| Average Voltage | 3.0V |
| Nominal Capacity | 11.1Ah @ 250mA to 2.0V @ +23°C |
| Max. Discharge | 3.3A continuous |
| Pulse Capability | Up to 7.0A Varies according to pulse characteristics, temperature, cell history and the application. Consult Ultralife. |
| PTC | U10014 and U10016 have PTC (re-settable fuse) U10013 and U10015 do NOT |
| Weight | U10013 Bare cell: 121.10g U10013 Completed assembly: 121.12g U10014 Bare cell: 121.35g U10014 Completed assembly: 121.37g U10015 Bare cell: 121.10g U10015 Completed assembly: 123.18g U10016 Bare cell: 121.35g U10016 Completed assembly: 123.43g |
| Operating Temperature | -40°C to +72°C |
| Storage Temperature | -40°C to +95°C |
| Exterior/Housing | Hermetic Ni-plated steel can with Mylar sleeve |
| Terminals/Connector | Flat Ni-plated +/- End Caps: U10013 and U10014 Flat Ni-plated +/- End Caps with Nickel Tabs: U10015 and U10016 |
| Safety | UL component recognized Material Safety Datasheet - MSDS023 Safety Guide UBM-5135 |
| Transportation | Class 9 - U.S. and International (see note) |
| Note | A complete description of transportation regulations, lithium weights and transportation classifications is available on the Ultralife website. |

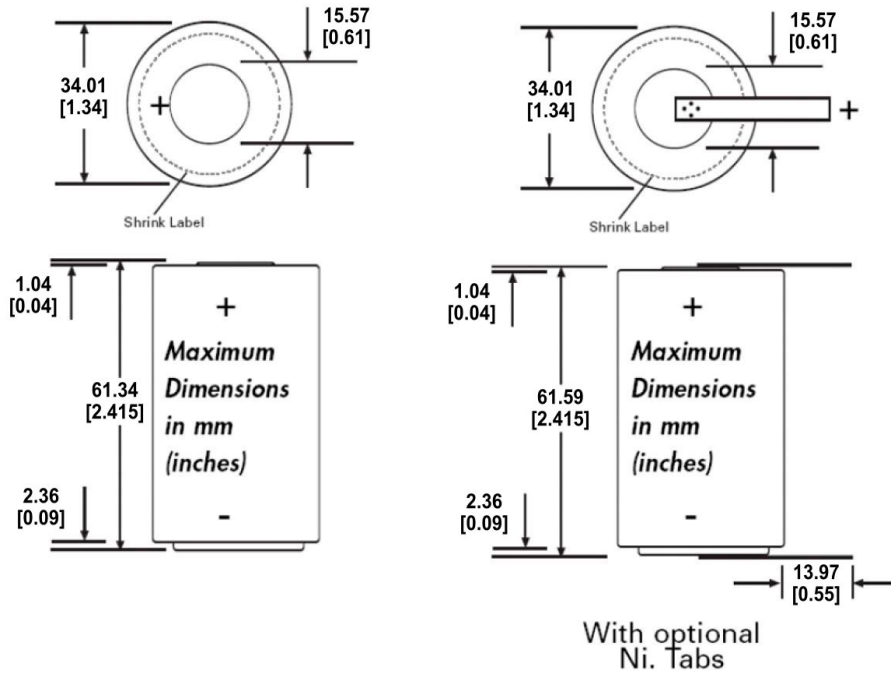
Features

- High energy density
- No voltage delay
- Wide operating temperature range
- Lightweight
- Up to 10-year shelf life
- Long operating life
- Cell is hermetically sealed Ni-plated steel can

Applications

- Consumer telematics
- Commercial telematics
- Search & rescue devices
- Military communications, detectors & imaging
- Medical devices

Dimensions



Performance Graphs

